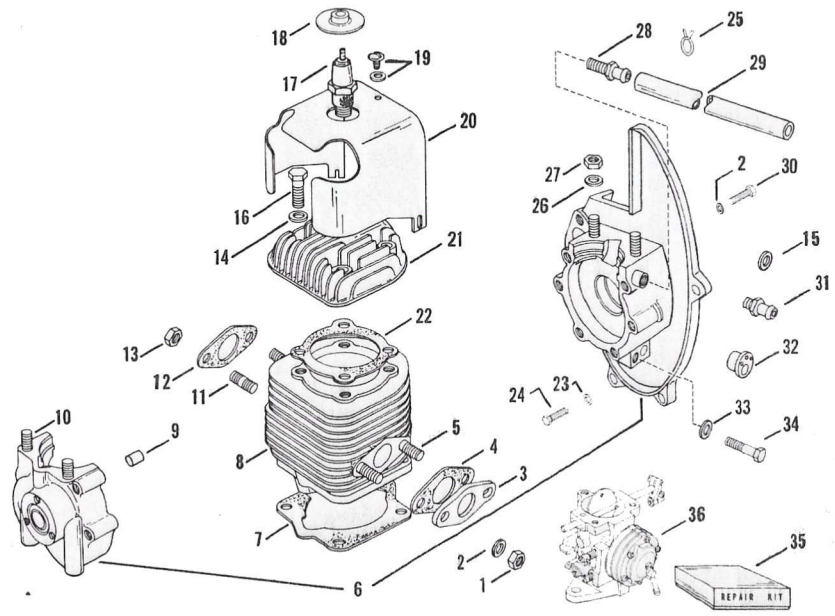


K295-1 CRANKCASE AND CYLINDER



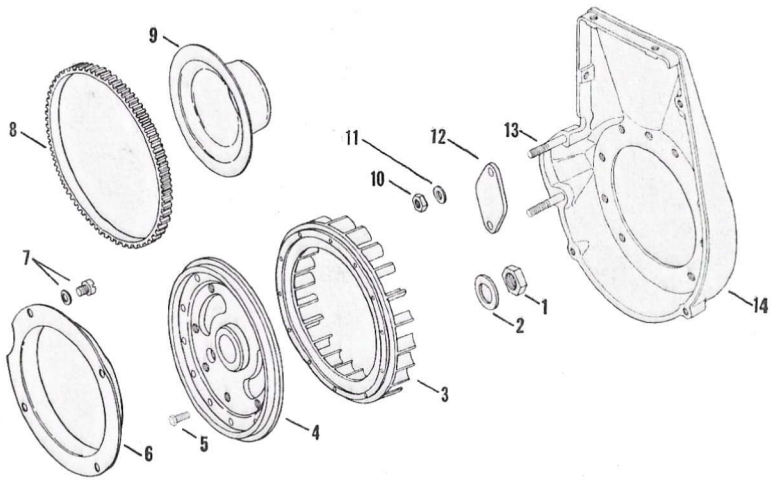
INDEX NUMBER	PART NUMBER	DESCRIPTION	QTY.
1	X-82-2	Nut, carburetor	2
2	X-1002-2	Lockwasher	8
3	33 041 04	Gasket, insulating	1
4	33 041 03	Gasket, carburetor	1
5	33 072 04	Stud, carburetor	2
6	33 260 01	Crankcase - assembly	1
7	33 055 02	Gasket, cylinder base	1
8	39 137 01	Cylinder	1
9	33 133 01	Pin	2
10	33 072 06	Stud, cylinder	4
11	33 072 02	Stud, muffler	2

K295-1

CRANKCASE AND CYLINDER

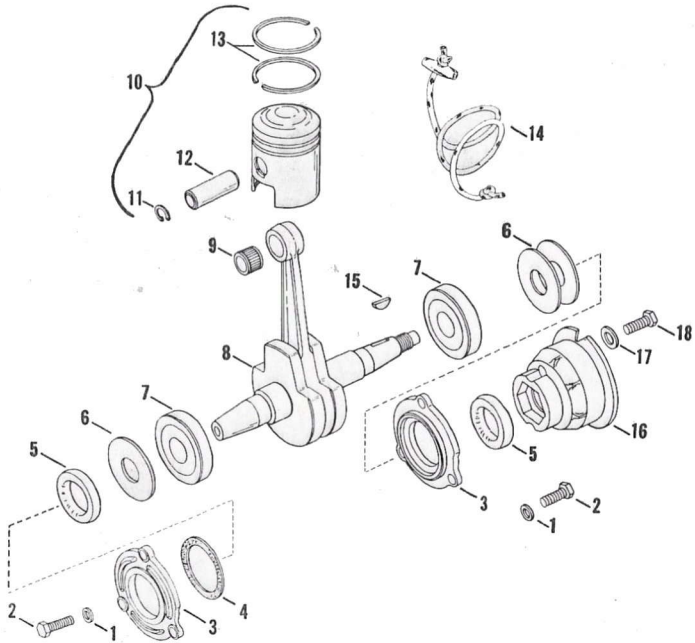
INDEX NUMBER	PART NUMBER	DESCRIPTION	QTY.
12	33 056 01	Gasket, muffler	1
13	X-78-1	Nut, muffler (Brass)	2
14	270889	Washer, cylinder head	4
15	33 049 01	Washer, copper	1
16	270158	Screw, cylinder head	4
17	33 132 02	Plug, spark	1
18	33 313 02	Grommet, spark plug	1
19	33 086 02	Screw and washer, air shroud	3
20	33 281 01	Cover, air shroud	1
21	39 015 01	Head, cylinder	1
22	33 055 01	Gasket, cylinder head	1
23	X-1002-2	Lockwasher	3
24	230152	Screw, blower housing	3
25	33 237 02	Clamp, hose	1
26	X-22-1	Lockwasher, cylinder	4
27	X-83-2	Nut, crankcase and cylinder	4
28	37 294 01	Connector, impulse tube	1
29	33 134 02	Tube, impulse	1
30	X-125-11	Screw, crankcase	6
31	33 155 02	Connector, vapor return	1
32	33 135 02	Nipple, rubber	1
33	X-1003-4	Washer, drain plug	1
34	X-5000-04	Plug, drain	1
35	33 106 02	Kit, carburetor repair	1
36	33 053 08	Carburetor (w/gasket)	1

K295-1 FLYWHEEL AND COOLING



INDEX NUMBER	PART NUMBER	DESCRIPTION	QTY.
1	X-89-11	Nut, flywheel	1
2	X-1003-5	Washer, flywheel	1
3	33 157 01	Fan	1
4	37 026 01	Flywheel	1
5	X-1000-10	Screw, fan	10
6	33 096 06	Cover, dust	1
7	X-465-5	Screw and washer, dust cover	4
8	33 097 01	Gear, ring	1
9	37 096 03	Cover, breaker	1
10	X-82-2	Nut	2
11	X-21-1	Lockwasher	2
12	33 096 04	Cover, starter mounting	1
13	33 072 07	Stud, blower housing	2
14	33 095 02	Housing, blower	1

K295-1 CRANKSHAFT, PISTON AND RINGS

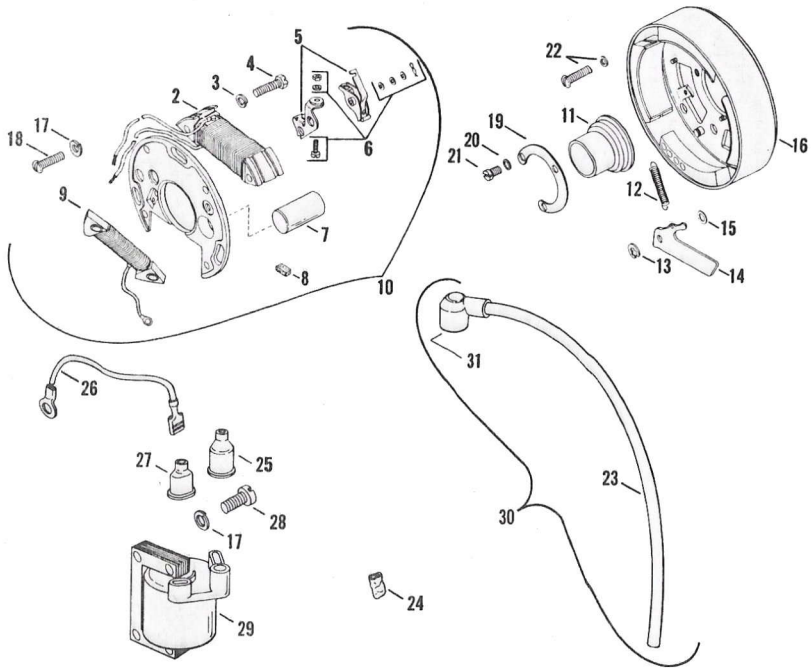


INDEX NUMBER	PART NUMBER	DESCRIPTION	QTY.
1	X-1003-1	Lockwasher, bearing plate	6
2	X-134-4	Screw, bearing plate	6
3	33 156 02	Plate, bearing support	2
4	33 055 03	Gasket, plate	2
5	33 032 01	Seal, oil	2
6	33 118 01	Washer, thrust .006" thick	A.R.
	37 468 01	Washer, thrust .012" thick	A.R.
7	231625	Bearing, ball	2
8	39 142 01	Crankshaft - assembly (Incl. conn. rod)	1
9	X-1007-1	Bearing, needle	1

K295-1 CRANKSHAFT, PISTON AND RINGS

INDEX NUMBER	PART NUMBER	DESCRIPTION	QTY.
10	33 074 06	Piston - assembly -- std. (Incl. rings)	1
	33 074 08	Piston - assembly -- .020 O.S. (Incl. rings)	
	33 074 10	Piston - assembly -- .040 O.S. (Incl. rings)	
11	33 140 01	Ring, piston pin retaining	2
12	33 061 01	Pin, piston	1
13	33 108 01	Ring set - std. (Bevelled edge)	1
	33 108 02	Ring set - .010 O.S.	
	33 108 03	Ring set - .020 O.S.	
	33 108 05	Ring set - .040 O.S.	
	37 108 01	Ring set - std. (Straight edge)	1
	37 108 03	Ring set - .020	
	37 108 05	Ring set - .040	
14	275181	Rope, starting	1
15	X-44-1	Key, flywheel	1
16	33 093 01	Pulley, rope starting	1
17	X-1002-2	Lockwasher, pulley	2
18	X-125-15	Screw, pulley	2

K295-1 FLYWHEEL MAGNETO

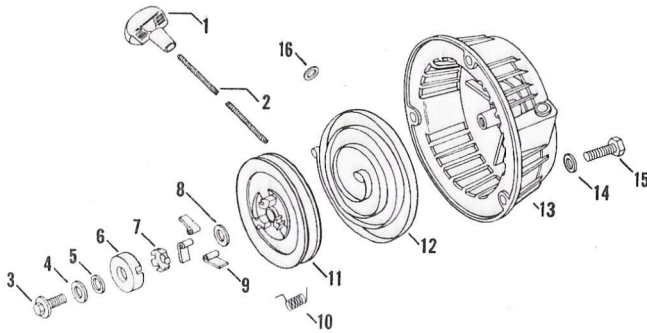


INDEX NUMBER	PART NUMBER	DESCRIPTION	QTY.
	33 138 02	Magneto, flywheel - assembly (Incl. 2 thru 21) .	1
2	33 145 01	Coil, lighting	1
3	X-1002-4	Washer, lock	4
4	X-1000-30	Screw	4
5	33 150 01	Breaker - assembly	1
6	X-1000-25	Screw set	1
7	33 147 01	Condenser	1
8	33 151 01	Felt, lubricating	1
9	33 145 04	Coil, ignition	1

K295-1 FLYWHEEL MAGNETO

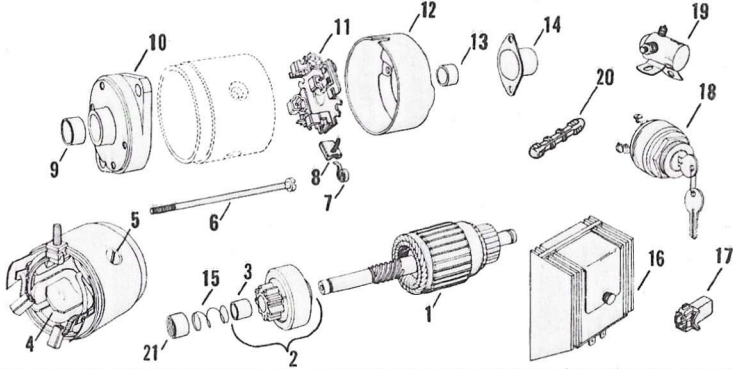
INDEX NUMBER	PART NUMBER	DESCRIPTION	QTY.
10	33 085 02	Stator - assembly (75 watt)	1
11	33 149 02	Cam	1
12	33 089 02	Spring	1
13	33 018 01	Circlip	1
14	33 044 01	Flyweight	1
15	33 148 03	Shim	2
16	33 152 02	Ring, magnet	1
17	X-1002-3	Washer, lock	5
18	X-5000-03	Screw, stator plate	3
19	X-1003-3	Retainer, cam	1
20	X-1002-5	Washer, lock	3
21	33 086 03	Screw, cam retainer	3
22	X-5000-02	Screw & washer, magnet ring	4
23	34 159 01	Cable, high tension	1
24	33 431 01	Sleeve	1
25	34 096 02	Cover, terminal	1
26	33 347 01	Lead, ground	1
		(Includes one 34 096 03 terminal cover)	
27	34 096 03	Cover, terminal	2
28	X-117-7	Screw, coil	1
29	34 145 02	Coil, ignition	1
30	33 225 02	Cable, high tension - assembly	1
31	33 131 01	Boot, spark plug	1

K295-1 RETRACTABLE STARTER



INDEX NUMBER	PART NUMBER	DESCRIPTION	QTY.
	33 165 02	Starter, retractable - assembly	1
1	234452	Handle	1
2	232923	Rope	1
3	33 086 01	Screw, hex.	1
4	X-1003-11	Washer	1
5	X-1003-10	Washer	1
6	231699	Retainer	1
7	33 089 05	Spring, brake	1
8	X-1003-7	Washer	1
9	231695	Dog	3
10	33 089 06	Spring, dog	3
11	33 093 02	Pulley, rewind	1
12	33 089 04	Spring, rewind	1
13	33 034 02	Housing, starter (Incl. bushing)	1
14	X-1002-2	Lockwasher	3
15	X-125-5	Screw, hex.	3
16	X-1003-10	Washer, rope retaining	1

K295-1 ELECTRIC STARTING



INDEX NUMBER	PART NUMBER	DESCRIPTION	QTY.
	33 098 01	Starter - assembly	1
1	33 170 01	Armature	1
2	33 171 01	Drive - assembly	1
3	33 158 04	Bushing (Part of drive - assembly)	1
4	33 167 01	Coil set	1
5	X-1000-32	Screw, pole	4
6	33 072 05	Bolt, thru	2
7	33 089 03	Spring, brush	4
8	33 172 01	Brush set	1
9	33 158 03	Bushing - D.E.	1
10	33 169 01	Plate - D.E.	1
11	33 169 03	Plate, brush holder	1
12	33 169 02	Plate - C.E.	1
13	33 158 05	Bushing, end cap	1
14	33 173 01	Cap, protection	1
15	33 504 01	Spring, anti-drift	1
16	33 163 02	Rectifier (75 watt)	1
17	33 139 02	Plug, connector	1
18	33 099 01	Switch, starter	1
19	A-243823	Relay	1
20	33 304 01	Fuse, protective	2
21	33 141 01	Ring, snap	1

MISCELLANEOUS

33 004 01 GASKET SET

<u>Part No.</u>	<u>Description</u>	<u>Qty.</u>
33 055 01	Gasket, head	1
33 055 02	Gasket, cylinder base	1
33 041 03	Gasket, carburetor	2
33 056 01	Gasket, muffler	1
33 032 01	Seal, oil	2
X-1003-4	Washer, drain plug	1
33 055 03	Gasket, bearing plate	2